

*Warren E. Wyrostek, M.Ed., M.Div., MCNI, MCNE, CDE*

Novell 3016

Foundations of Novell Networking:NetWare 6.5

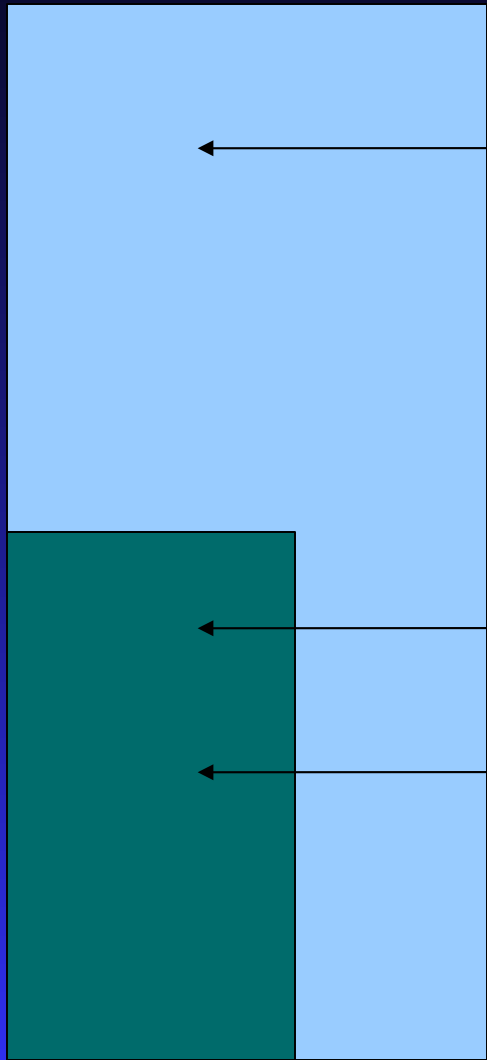
<http://www.3WsCertification.com>

[wrostekw@msn.com](mailto:wrostekw@msn.com)

# Agenda

- Monday- 1,2,3
- Tuesday- 4, 5, 8, 6
- Wednesday- 7, 13, 9
- Thursday- 10, 14, 11
- Friday- 12

# CHAPTER 2



NW Partitions  
POOLS  
Volumes- First is SYS:

DOS: 500 MB

c:\NWSERVER\SERVER.EXE

# Extensions

- .HAM
- .CDM
- .PSM
- .LAN
- .NAM

# CHAPTER 4

# THREE 3s- 1

- 3 MAJOR COMPONENTS
  - ◆ OBJECTS
  - ◆ PROPERTIES
  - ◆ VALUES
  - ◆ PLUS THE SCHEMA

# THREE 3s- 2

- 3 MAJOR OBJECTS TYPES
  - ◆ TREE OBJECT
  - ◆ CONTAINERS
  - ◆ LEAF

# THREE 3s- 3

- 3 MAJOR CONTAINER TYPES
  - ◆ COUNTRY
  - ◆ ORGANIZATION
  - ◆ ORGANIZATIONAL UNIT

# 4 ATTRIBUTE TYPES

- COUNTRY – C
- ORGANIZATION -O
- ORGANIZATIONAL UNIT – OU
- LEAF - CN

# FLAT FILE NAME SPACE

	FIELD	PROPERTY	LOGIN NAME		
RECORD	CELL				
OBJECT		VALUE			
USER			WARREN		

# Tree Object

- Required
- Can Contain C, O, or alias to C, or O, and a Security Container
- Cannot be deleted, moved, or renamed from Tree Object.
- The value assigned to the Tree Object can be changed.
- Also known as [ROOT] in some utilities

# Country Object

- Optional. Not Required
- Can exist in the Tree object
- Can contain O or alias to O
- 2 Letter Country Code designator
- Cannot contain Tree Object.

# Organization Object

- Required object
- Best practice is to have 1.
- Can have multiple Os at the same layer.
- Can exist in the Tree Object or the Country.
- Can contain OUs and Leaf Objects.
- Cannot contain Tree Object, Country or other Organization Objects, or alias to these.

# Organizational Unit Object

- Optional but should use them for partitioning and replication
- Can contain OUs and Leaf objects
- Cannot contain Os, Cs, or Tree Objects.

# Leaf Objects

- Resources of all types
  - ◆ Volumes
  - ◆ Users
  - ◆ Servers
  - ◆ Groups
  - ◆ LDAP Groups and Servers
  - ◆ Printing objects
  - ◆ Alias

# Tree Design 101

- Top Layers of the Tree- WAN connections or Geographical Locations
- Bottom Layers of the Tree based on Workflow and Workgroups
- Design the Tree as a Pyramid-bottom heavy
- Make it Easy to Use
- Make it Easy to Administer
- Make it Secure

# Object Naming 101

- (Fully) Distinguished Name
- Relative Distinguished Name
- Typeful- C, O, OU, CN
- Typeless
- Context
- Current Context

# DISTINGUISHED NAME

- LEADING PERIOD
- PERIOD SEPARATORS BETWEEN CONTEXTUAL ELEMENTS
- NO TRAILING PERIODS
- CAN BE TYPEFUL OR TYPELESS

# RELATIVE DISTINGUISHED NAME

- NO LEADING PERIOD
- PERIOD SEPARATORS BETWEEN CONTEXTUAL ELEMENTS
- CAN HAVE TRAILING PERIOD TO REMOVE LEFTMOST SUCH CONTEXTUAL ELEMENT AS EXISTS IN CURRENT CONTEXT
- CAN BE TYPEFUL OR TYPELESS
- RELATIVE DN + CC = DN
- SIMPLEST RDN = CN

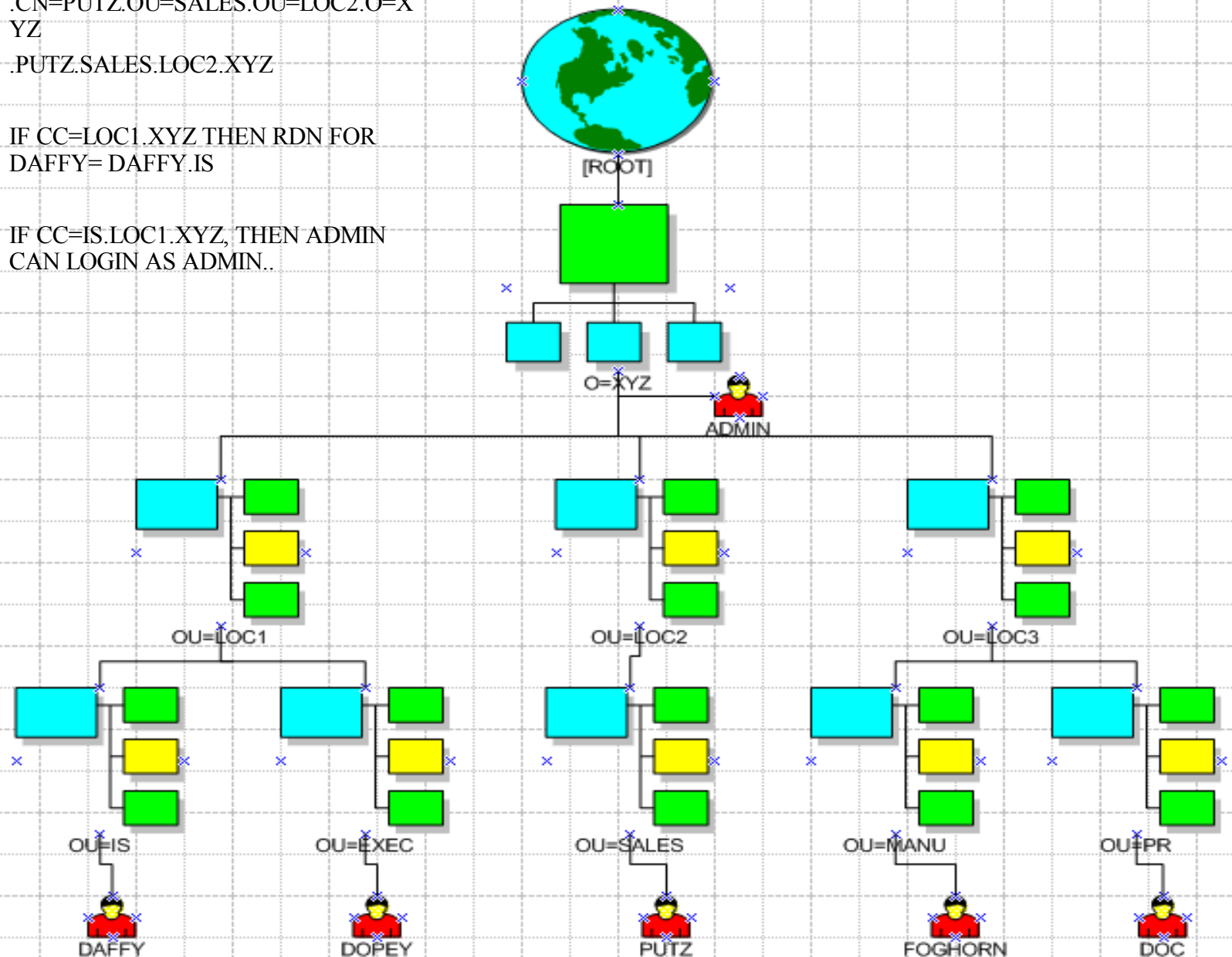
# eDIRECTORY NAMING EXAMPLE

.CN=PUTZ.OU=SALES.OU=LOC2.O=X  
YZ

.PUTZ.SALES.LOC2.XYZ

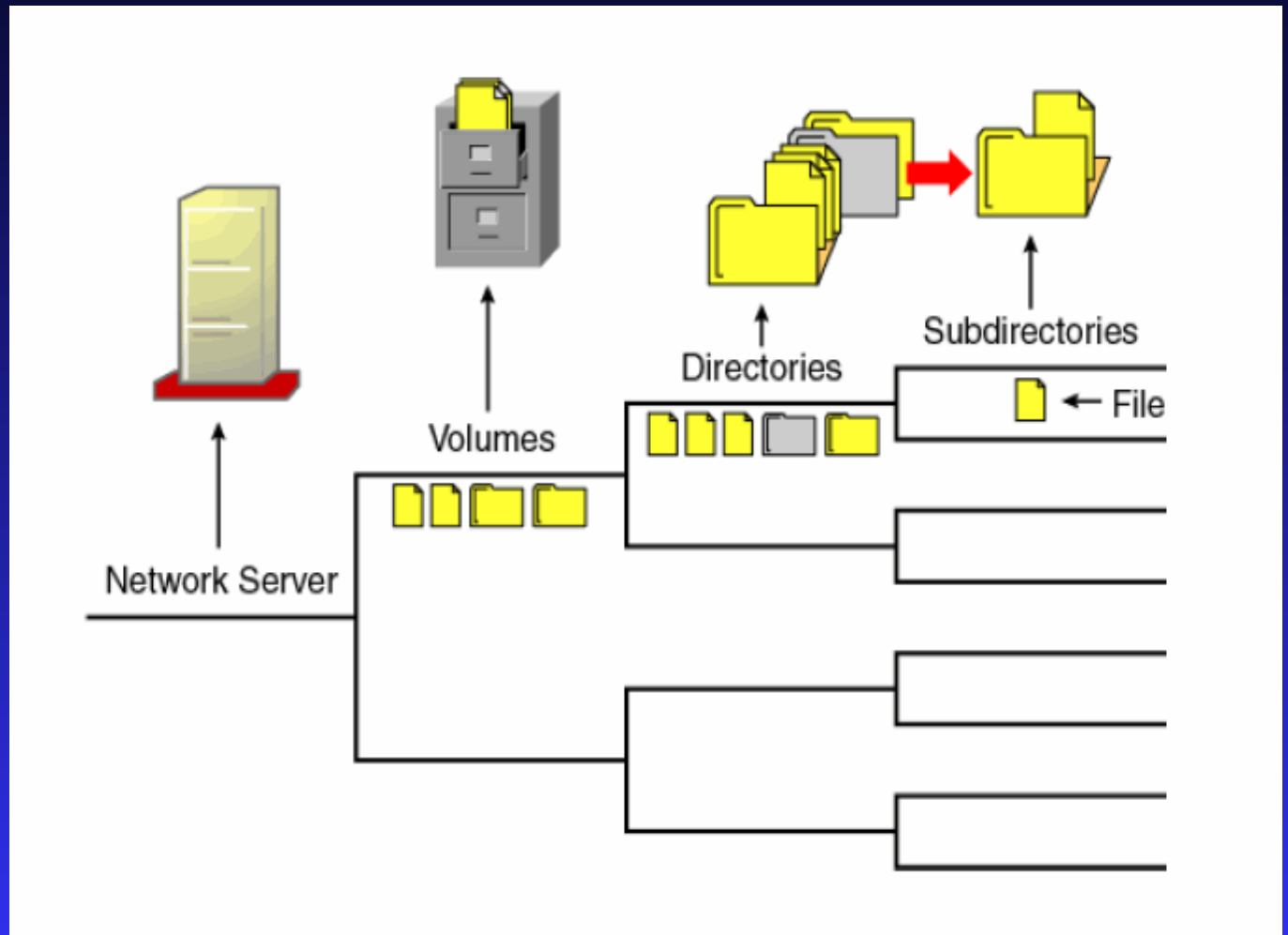
IF CC=LOC1.XYZ THEN RDN FOR  
DAFFY= DAFFY.IS

IF CC=IS.LOC1.XYZ, THEN ADMIN  
CAN LOGIN AS ADMIN..



# CHAPTER 6

# PAPER FILE SYSTEM



# Volume Naming

- PHYSICAL VOLUME NAME

- ◆ DA1\SYS:

- ◆ DA1/SYS:

- VOLUME OBJECT NAME

- ◆ DA1\_SYS:\DIR1\SUBDIR1\...

- NOTE THE DIFFERENCE BETWEEN THE UNDERSCORE AND THE BACK\FORWARD/SLASH USAGE!!

# CHAPTER 7

# LOGIN SCRIPTS

- CONTAINER (NO\_DEFAULT)
- PROFILE (NO\_DEFAULT)
- USER
- DEFAULT- LOGIN.EXE

# DRIVE MAPPINGS AND THE MAP COMMAND

- REGULAR
- DATA
- NETWORK

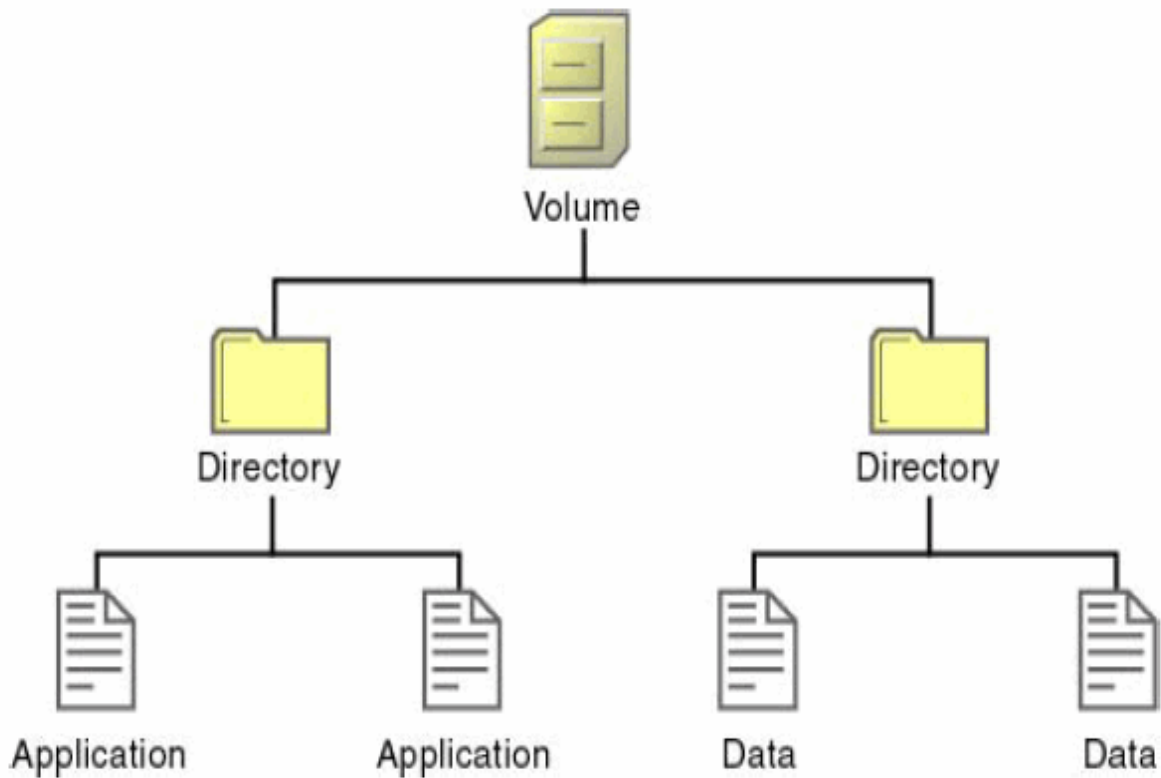
- A, B, C, D
- E – Z
- 26 POSSIBLE DRIVES

- APPS
- EXE
- SEARCH

- Z – K
- 16 POSSIBLE DRIVES

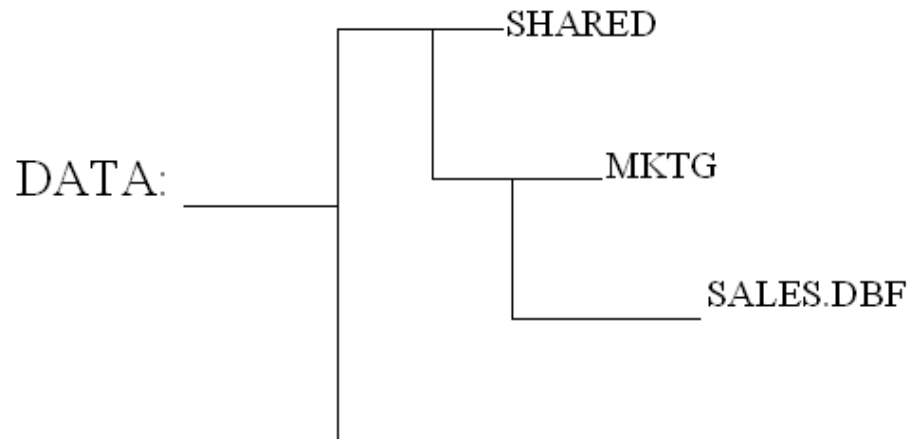
# CHAPTER 8

# FILE SYSTEM DESIGN



# Chapter 9

# FILE SYSTEM RIGHTS



S  
R  
W  
C  
E  
M  
F  
A

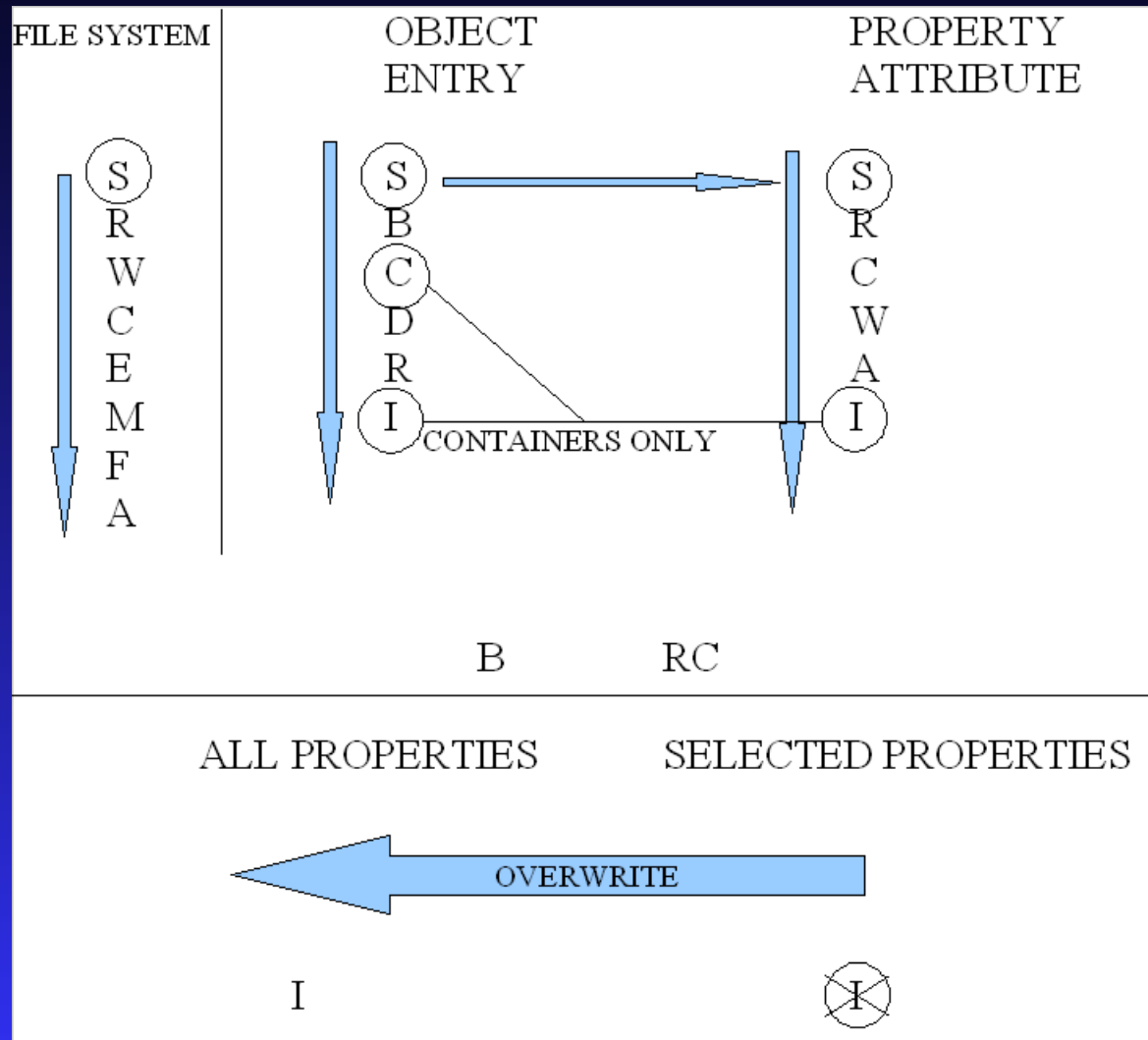
SCREAM w/Fear

# RULES FOR FILE SYSTEM RIGHTS

- SUPERVISOR RIGHT CAN ONLY BE CHANGED OR DELETED AT THE POINT OF INITIATION. IT CANNOT BE IRFed.
- EXPLICIT TRUSTEE ASSIGNMENT (INDIVIDUAL OR GROUP) OVERWRITES AN INHERITED ASSIGNMENT (INDIVIDUAL OR GROUP)
- (INDIVID + GROUP) – IRFS=EFFEKTIVE RIGHTS

# CHAPTER 10

# eDIRECTORY RIGHTS



# CHAPTER 11

## QUEUE BASED PRINTING

### IPX

- PRINT QUEUE
- PRINT SERVER
- PRINTER
- PSERVER.NLM

# NDPS

- PRINTER AGENT- 1:1
- PRINTER MANAGER
  - ◆ NDPSM.NLM
  - ◆ 1 INSTANCE PER SERVER
  - ◆ UNLIMITED NUMBER OF AGENTS
- BROKER
  - ◆ RMS, SRS, ENS
  - ◆ BROKER.NLM
- GATEWAY

# iPRINT

- 1 SETUP NDPS IN iMANAGER
- 2 MODIFY NDPS BROKER, MANAGER, AGENT
- 3 CHANGE W/S DRIVER AND TEST PRINT
- 4 REMOTE MANAGEMENT
- 5 PUBLIC ACCESS IN NWADMIN
- 6 D/L iPRINT CLIENT
- 7 IPRINT ENVIRONMENT
- 8 MAPTOOL.HTM

# iFOLDER AND VO

- 1 iFOLDERSERVER/ADMIN
- 2 iFOLDER CLIENT IN /iFOLDER
- 3 MAKING USERS
- 4 SYNCHING DOCS
- 5 VO IN iMANAGER
- 6 VO IN VO

# CHAPTER 13

# SERVER.EXE OPTIONS

- SERVER -NL
- SERVER -NS
- SERVER -NA
- SERVER -S \PATH

# NCFs

- C:\NWSERVER
  - ◆ STARTUP.NCF
    - ◆ PSM
    - ◆ HAM
    - ◆ CDM
- SYS:\SYSTEM
  - ◆ AUTOEXEC.NCF

# PUTTY

- <ftp://3WsCertification.com/pub/downloads>

Click on the following link to return  
to the home page-

<http://www.3WsCertification.com/>